



**UNILUX**  
suite solutions

## Plasma Air Model PA600 Ionization Unit

Now Available on all Unilux Products



### Advanced Air Treatment

Unilux is proud to introduce bipolar ionization technology to improve indoor air quality in residential suites and commercial spaces. The Plasma Air ionization technology has been proven to improve indoor air quality by neutralizing airborne contaminants including:

- Viruses and bacteria
- Mold spores
- Particulate matter
- Odors
- Volatile organic compounds (VOCs)

HVAC units installed in most high-rise residential suites have the capacity to recirculate all of the air in the suite every 10 minutes on high fan speed. Installing the Plasma Air Ionization unit inside the HVAC equipment is extremely effective. By neutralizing these contaminants in the air moving through your HVAC unit, occupants will enjoy significantly improved indoor air quality in their residence. The PA600 is self contained in a potted enclosure which has molded flanges with mounting holes.

### How It Works

The Plasma Air PA600 cleans the air by producing a natural bio-climate rich in positive and negative oxygen ions. By releasing negative ions with extra electrons and positive ions that are missing an ion, the PA600 creates an unstable environment. The ions try to re-stabilize by seeking out atoms and molecules to trade electrons with. This effectively neutralizes particulate matter, bacteria, virus cells, VOC and odorous gases.

### Minimal Maintenance

The Plasma Air PA600 requires minimal maintenance – simply cleaning the ionization unit's brushes of any dust twice per during regular maintenance is all that's required.



**UNILUX**  
suite solutions

## Plasma Air Model PA600 Specifications

Now Available on all Unilux Products

### PA600 Unit Specifications

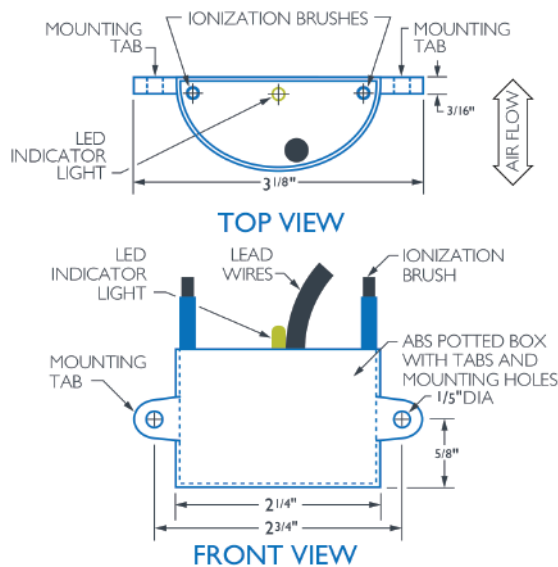
- Needlepoint brush type ionizer
- Self contained potted enclosure with molded flanges and mounting holes
- Housing material: ABS
- Equipped with green LED indicator light
- 2,400 CFM air flow capacity
- Power consumption: <1 watt
- Voltage Input:
  - o 12V DC
  - o 24V AC
  - o 120V AC
  - o 208-240V AC
- Maximum operating temperature: 98°C / 208°F
- Weight: 90 grams / 3 ounces
- Dimensions:
  - o 1 1/4" H plus brushes
  - o 1" D
  - o 3 1/8" W

### Compatible Equipment

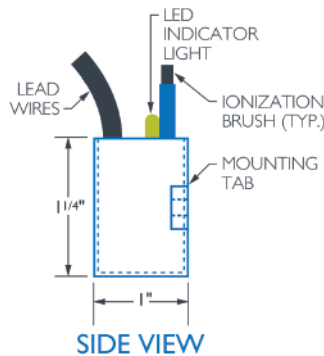
The Plasma Air 600 is compatible with all:

- Unilux VFC fan coil products
- Unilux VHP heat pump and hybrid products
- Most fan coils and heat pumps

### Mounting Information



DIMENSIONS NOT TO SCALE



Intertek/ETL Standard UL 867

For more information on the benefits of Plasma Air products please visit [www.plasma-air.com](http://www.plasma-air.com)